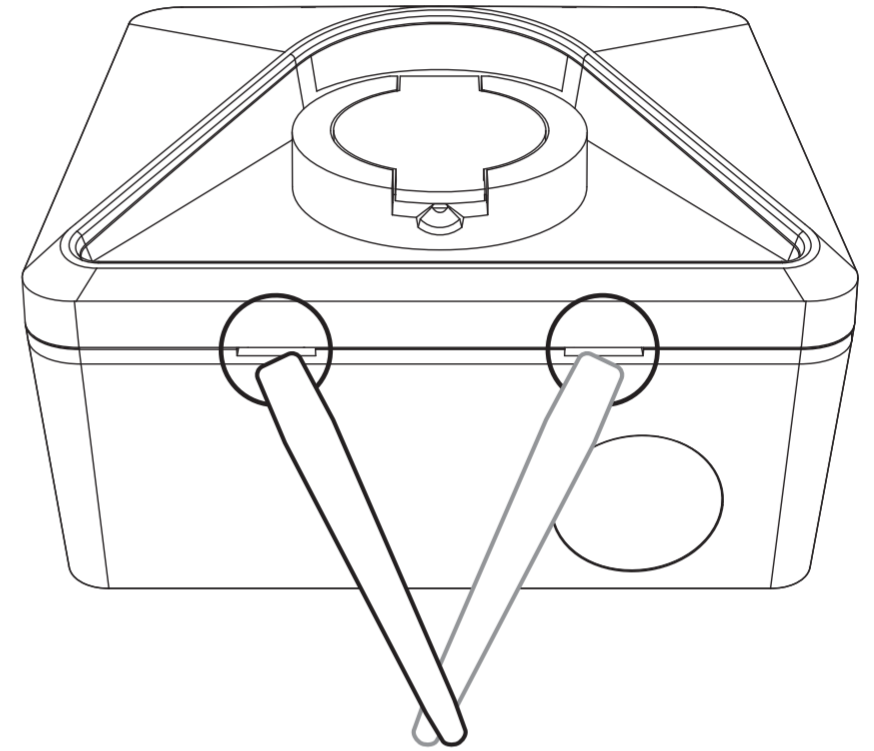


Front Fascia

Removing the Fascia from the Surface Sleeve:

1. Using the plastic fascia removal tool supplied, push the tapered end into the lower slots on the bottom edge of the fascia to release clips. (Refer to fig. 2). Gently remove fascia and set to one side. (Place the fascia in the protective bag until needed).



Attaching Front Fascia:

2. Re attach the front fascia to the front case. Ensure a “click” is heard when pressing the two locking positions at the bottom of the fascia.

