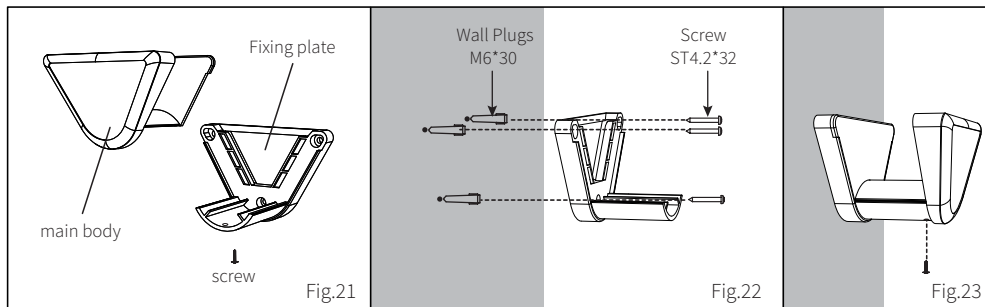


Cable Holder

Installation of the Cable Holder

(supplied with tethered chargers only, available to purchase as an optional accessory)



1. Remove the single screw from the bottom of the cable holder and separate the fixing plate and the main body parts (see fig. 21).
2. Identify a suitable location near your Stevie for the cable holder position, ideally approximately 0.5 – 1.5 metres from the ground level (see fig. 24). Test for hidden cables or piping before drilling.
3. Position the fixing plate in position and mark the 3 mounting holes.
4. Drill the 3 mounting holes using a 6mm drill bit to approx. 35-40mm in depth.
5. Insert rawl plugs and screw fixing plate to the wall (see fig. 22).
6. Install main body to fixing plate using previously removed screw (see fig. 23)

Note: if you feel that you require a different fixing method for your particular installation, then please acquire your choice of fixings locally. The above are the recommended minimum sizes/lengths to use.

